

Product Model Number
DWV303DB
Vesta Compact Dishwasher

Installation Location:

- Air Space Requirements: 1/4" on sides/bottom, 1" on top and 2" in back (from the case). Additional installation spacing needs to be considered for easy installation, servicing, and compliance with state and federal codes.
- This dishwasher must be installed on a solid, level surface.
- When locating in a towable trailer or watercraft, position the machine over the axles or midship where movement is at a minimum. Block unit in to prevent extreme movement.

Electrical Requirements:

- Machine Voltage/Amperage: 120V, 60 Hz, 10.6 Amp/1280W Total
- Connection: 3-prong plug with 6' (182.8 cm) cord is provided with unit.
- Circuit Protector: Provide separate 15 Amp. circuit.

Incoming Water Pressure:

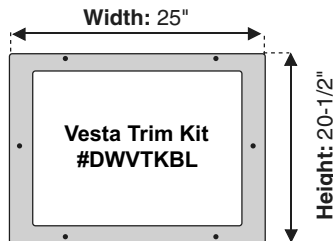
- Between 10 and 145 psi (.05 and 10 bar) for best operating results

Countertop Installation Requirements:

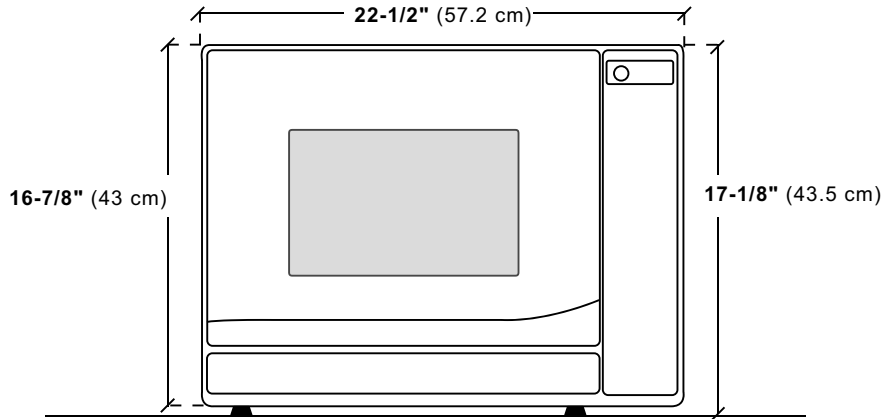
- Needs a minimum height clearance of 17-1/4" (43.8 cm) from countertop surface to overhead cabinets.
- Vesta Quick Connect Faucet Adapter Kit #DWVCTHK (5' Length) includes a fill and drain hose assembly that allows for a direct faucet connection. See complete installation instructions in owners manual.

Built-In Installation Requirements:

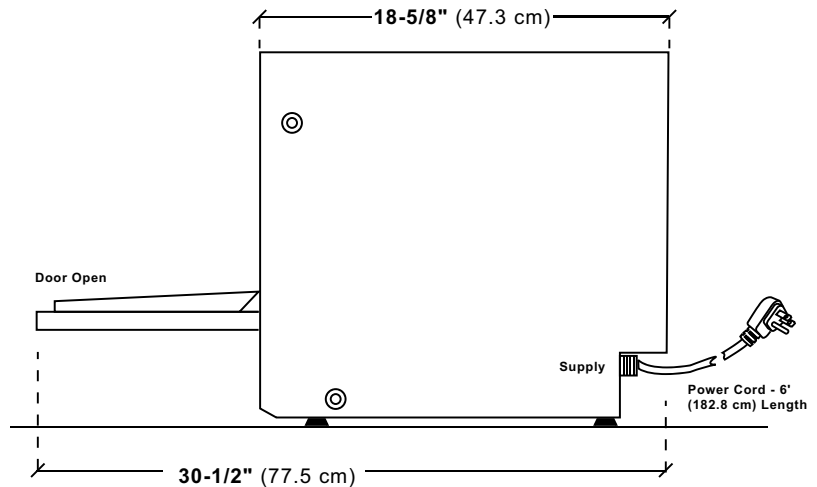
- This dishwasher may be built-in using Vesta Built-In Hose Kit #DWVBIHK (Lengths: 7-1/2' Inlet Hose, 4' Outlet Hose) and Vesta Built-In Trim Kit #DWVTKBL (below). See complete installation instructions in owners manual.
- Cutout Dimensions: Min. 18-1/8" High x Min. 23" Wide x Min. 20-5/8" Deep.
- Water Drainage Options: Standpipe drain system or sink drainpipe system.



Front View (not to scale)



Side View (not to scale)



Rear View (not to scale)

